

IPX7

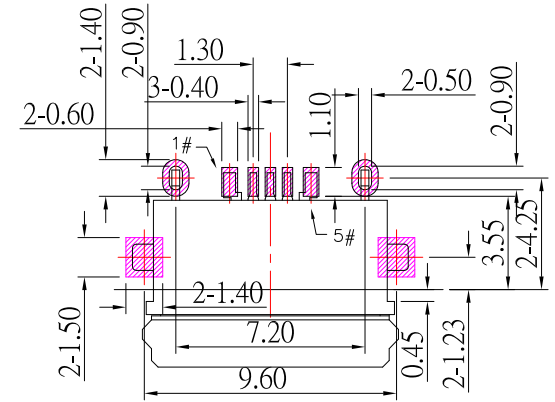
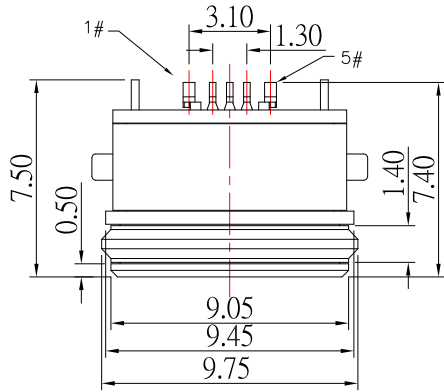


MRUSB-5B-WP19-x-S165

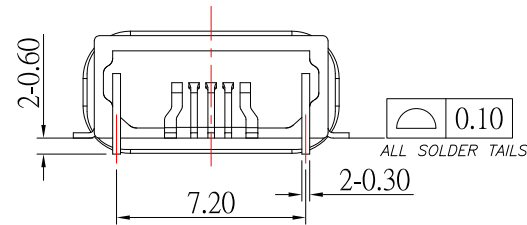
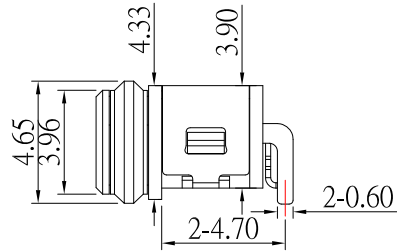
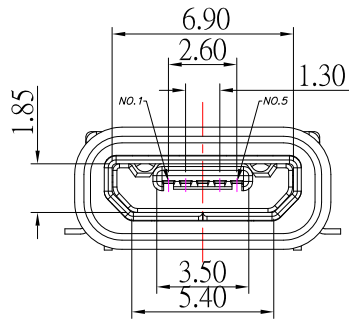
鍍層厚度:

Blank : 1u"
2 : 15u"
3 : 30u"

Contact Number	Signal Name	Remarks
1#	VBUS	Power
2#	D-	Date-
3#	D+	Date+
4#	ID	Reserve or Gound
5#	GND	Gound



P.C.B LAYOUT MOUNTING PATTERN



NOTES:

MATERIAL:

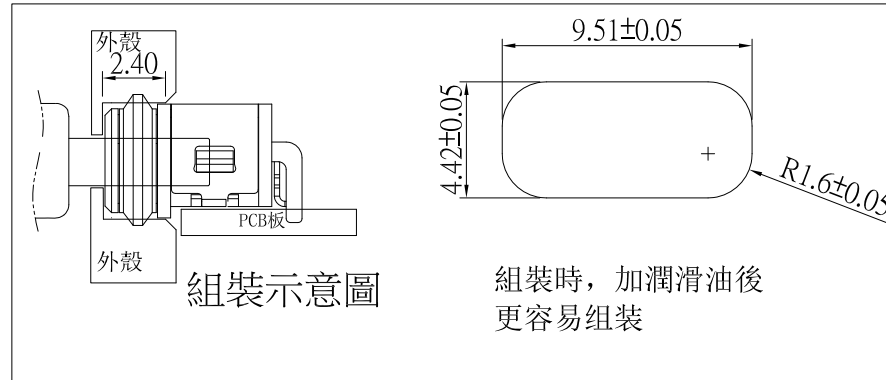
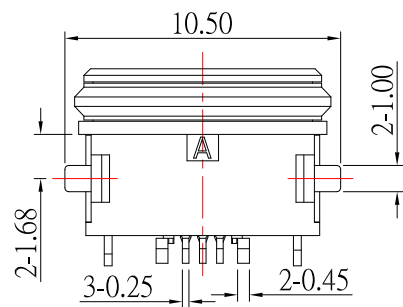
- 1.1 HOUSING: PA9T
- 1.2 CONTACT: PHOSPHOR BRONZE
- 1.3 SHELL: SUS

FINISH:

- 2.1 CONTACT: PLATED GOLD IN MATING AREA ;
GOLD PLATED ON SOLDER BALLS ;
NICKEL UNDER PLATED OVERALL
- 2.2 SHELL: NICKEL UNDER PLATED SURFACE LAYER

3.SPECIFICATION:

- 3.1 RATING: 1.5A
- 3.2 DIELECTRIC WITHSTANDING VOLTAGE: 500 VAC
- 3.3 CONTACT RESISTANCE: 30 mΩ MAX.
- 3.4 INSULATION RESISTANCE: 1000 MΩ MIN.



組裝示意圖

組裝時，加潤滑油後
更容易組裝

CONTACT 建倚科技股份有限公司
CONTACT TECHNOLOGY CORP.

TOLERANCE UNLESS OTHERWISE STATED:
Up to 5 ±0.2
Above 5 ~ 15 ±0.3
Above 15 ~ 30 ±0.4
Above 30 ~ 50 ±0.5
Angle ±0.3°

3RD. ANGEL'S



UNITS

MM

DRAWN BY: Jack Lu
CHECKED BY: Jacky Chen
APPROVED BY: Tony Kao
DATE: 11/04/21
DATE: 11/04/21
DATE: 11/04/21

MAT'L		TITLE	CONNECTOR
FINISH		MODLE	MICRO USB 5P F B TYPE H 3.9 防水型 IPX7
SCALE	1 : 1	DWG NO.	MRUSB-5B-WP19-x-S165
SHEET NO.	1 of 2	PART NO.	MRUSB-5B-WP19-x-S165

ITEM NO.	DESCRIPTION	DRAWN	DATE
----------	-------------	-------	------

SIZE	A4
VER	R